

# Ultraliner Range

## DL007U

### Technical Data Sheet

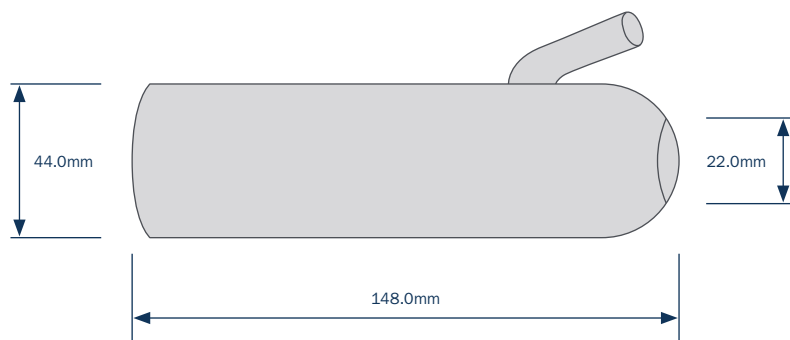
milkrite Product Code	milkrite Part Number	Alternative To
DL007U	200040-01	999007-03

#### Material Approval

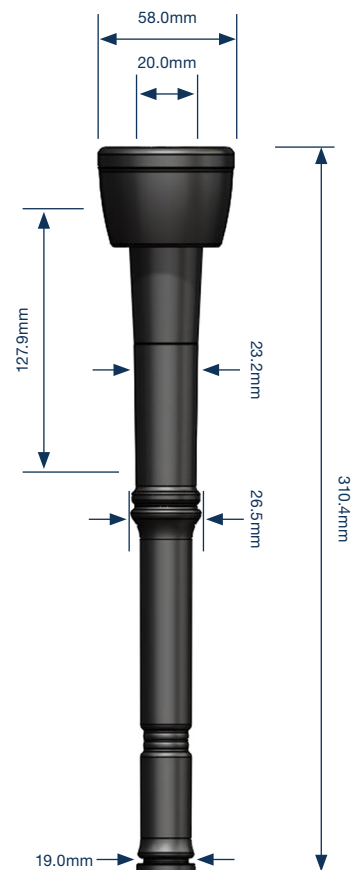


The compound used for this liner meets BfR Food Regulation XXI Category 3 for products that come into contact with food, and is approved to this standard by RAL. Our materials are REACH compliant.

Shell Type: milkrite - M10AV008XZ



ultraliner®



#### Warranty

milkrite liners are warranted to last a minimum of 2500 milkings or six months when used in accordance with our instructions and those of the parlour manufacturer.

The information in this document is not binding and can be changed without notice. Parlours and herds vary considerably, so these details are meant to be guidelines to operation only and not a specification. It remains the responsibility of the operator to ensure the correct working of the plant and the health of the animal.

milkrite, Hampton Park West, Semington Road, Melksham, Wiltshire SN12 6NB, UK



[www.milkrite-interpuls.com](http://www.milkrite-interpuls.com)

**milkrite | InterPuls**  
Improving every farm we touch