

Impulse Range

IP11

Technical Data Sheet

milkrite Product Code	milkrite Part Number	Compatible Claw
-----------------------	----------------------	-----------------

IP11

200012-01

Fits claws with 14-16mm OD nipples with square cut. This is a smaller orifice version at shorter length for smaller teated and lower bagged cows



Material Approval



The compound used for this liner meets BFR Food Regulation XXI Category 3 for products that come into contact with food, and is approved to this standard by RAL. Our materials are REACH compliant

Liner Map - To Optimise Performance

Liner maps have been developed through independent research and testing on farm. You will find a copy of the liner map in the Impulse Air Dealer Manual. Use the liner maps to set the optimum conditions to achieve the desired output with the best teat condition

Shell Options

PLASTIC WEIGHT



Plastic shell / Plastic weight option

Weights : Shell - 122g
: Plastic Weight - 17g
: Total - 139g

Total weight of liner, shell and plastic weight - 265g

STAINLESS STEEL WEIGHT

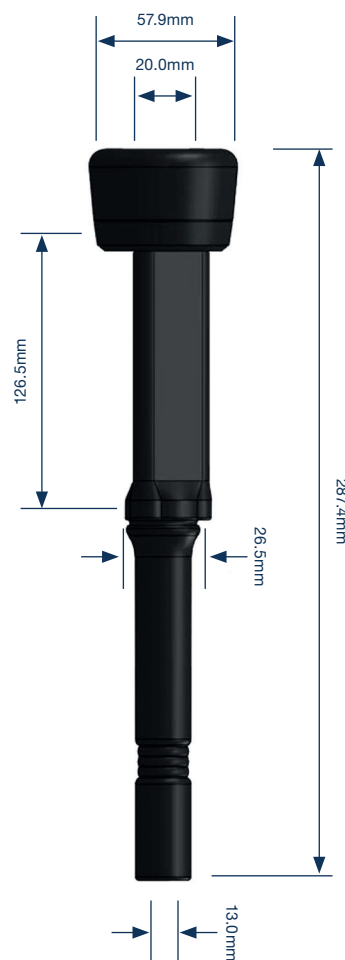


Plastic shell / Stainless steel weight option

Weights : Shell - 122g
: Steel weight - 126g
: Total - 248g

Total weight of liner, shell and stainless steel weight - 374g

impulse®



Warranty

milkrite liners are warranted to last a minimum of 2500 milkings or six months when used in accordance with our instructions and those of the parlour manufacturer.

The information in this document is not binding and can be changed without notice. Parlours and herds vary considerably, so these details are meant to be guidelines to operation only and not a specification. It remains the responsibility of the operator to ensure the correct working of the plant and the health of the animal.

milkrite, Hampton Park West, Semington Road, Melksham, Wiltshire SN12 6NB, UK



www.milkrite-interpuls.com

milkrite | InterPuls
Improving every farm we touch